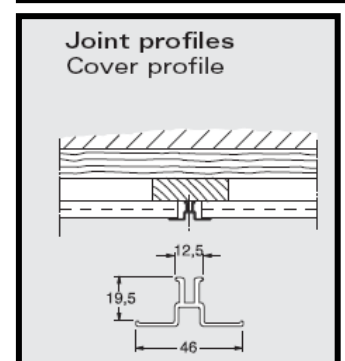
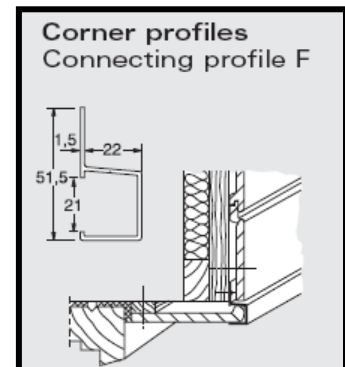
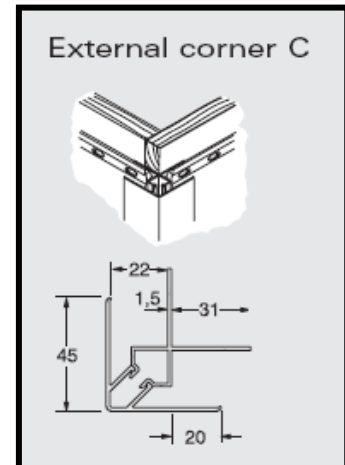
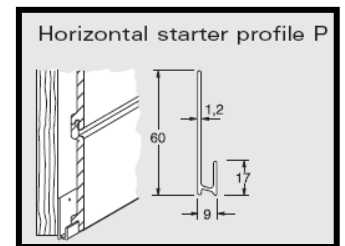
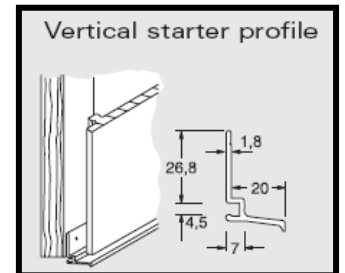


# System 600 Cladding



## Fixing Accessories

Starter Profiles	
	<p><b>Horizontal Starter Profile P</b> First profile to start fixing for horizontal cladding with tongued and grooved profiles, grooved. Material: Aluminium</p>
	<p><b>Vertical Starter Profile</b> For external wall profiles or profiles Selekt. First profile for start fixing for vertical cladding. Material: Aluminium</p>
Ventilating Profile	
	<p><b>Ventilation Profile 30 x 90mm</b> <b>Ventilation Profile 30 x 30mm</b> For covering the rear ventilation gap of cladding. Material: Plastic</p>
Cover and Finish Profiles	
	<p><b>Covering Profile</b> For horizontal joint covering. Can be screwed after fixing. Material: Aluminium</p>
	<p><b>Connecting Profile F</b> For use at window reveal, roof edges etc., where profiles Selekt meet at right angles. Material: Aluminium</p>
	<p><b>External Corner C</b> For use with vertically horizontally fixed profiles Selekt. Two parts The cover profile is clipped on after the lower assembly is fixed using 2 cylinder sheet screws 3.9 x 16 mm. Material: cover profile aluminium anodized or powder coated, lower profile aluminium.</p>
	<p><b>Cover Cap C</b> For covering the openings at top and bottom of the external corner C. Material: Plastic</p>



# System 600 Cladding



## Fixing Accessories

Corner Profiles	
	<b>Internal Corner Profile 2</b> Material: Plastic
Joint Tape	
	<b>Joining Tape (25m)</b> For the backing of joints and internal corners, width 100mm Material: Flexible plastic
T & G Connections	
	<b>T &amp; G Connections 1/155</b> Use to hide the vertical joints of individual profiles Seleкта with a cover width of 155mm up to a maximum length of 2700mm fixed in shiplap configuration. Material: Plastic
Cladding Screw	
	<b>Cladding screw 3.5 x 30mm</b> With cross head, for fixing of profiles and accessories. material: Stainless Steel, A2
Edge Sealant	
	<b>Edge Sealant 225ml</b> For pore free sealing of profile cut edges. Sufficient for approx (profile cut edge pieces) Seleкта 155 profile
Colourpan Acrylic Lacquer	
	<b>Colourpan Acrylic Lacquer</b> For painting of edges and for use as touch up paint. 750ml

